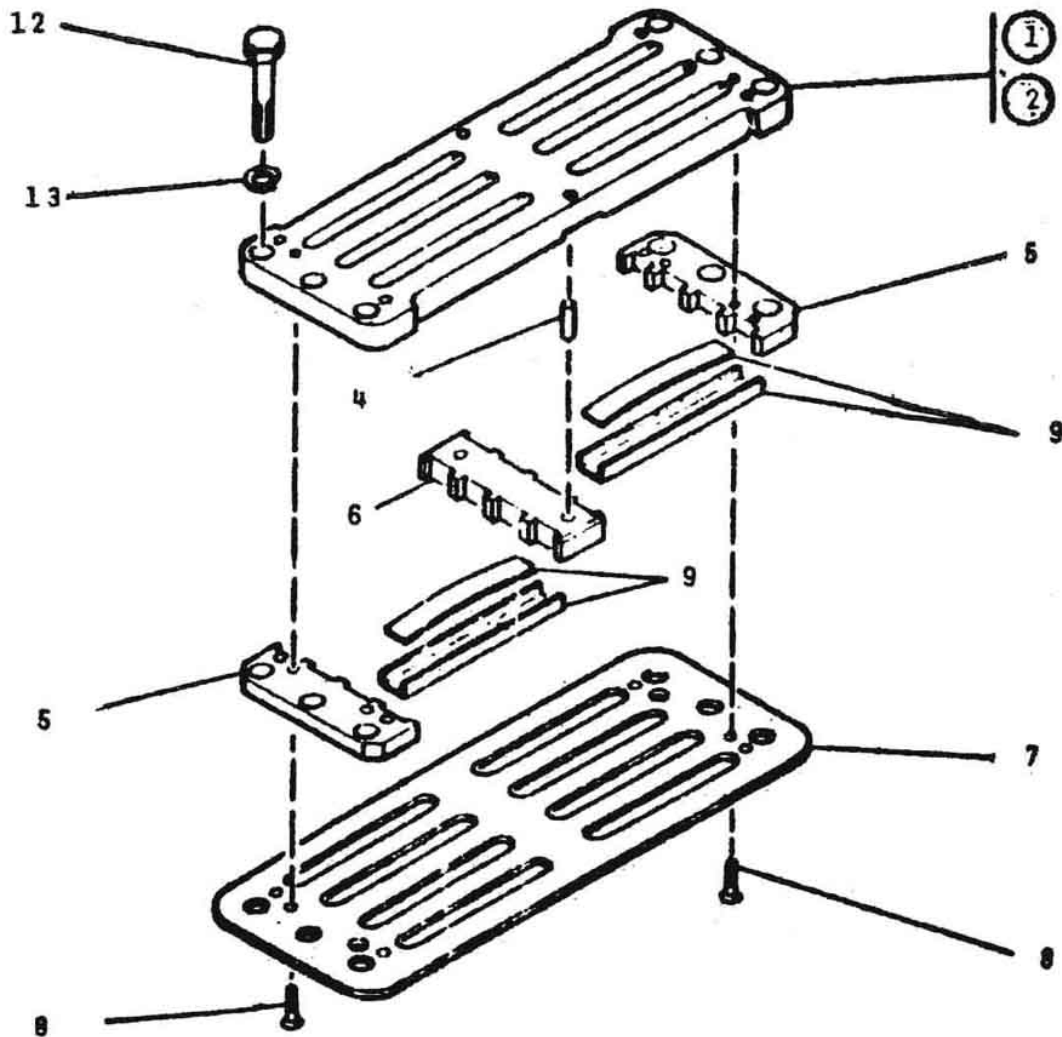


## 7. VALVE DISCHARGE - MODEL 9.5 x 7 LUB



All manufacturer's names, numbers, photos, product description and/or part numbers are used for reference purposes only & it is not implied that any part listed is the product of these manufacturers. Since Approvement are made from time to time, the illustration and specifications are subject to change without notice.

## 7. VALVE DISCHARGE - MODEL 9.5 x 7 LUB

| No. | Description            | Ref Part No. | QTY |
|-----|------------------------|--------------|-----|
| 1   | Valve-Disch. Compl.    | A829PC2C     | –   |
| 2   | – Plate-Stop           | A829PC6C     | 1   |
| –   | – Stop Plate - Bare    | NP           | 1   |
| 5   | – Guide-Outer          | A465PC16     | 2   |
| 6   | – Guide-Center         | A829PC24     | 1   |
| 4   | – Dowel                | 26A13F501    | 6   |
| 7   | – Plate-Seat           | A829PC18     | 1   |
| 8   | – Machine-Screw        | 77A2S29      | 2   |
| 9   | – Set-Channel & Spring | A829PC33A    | 1   |
| 12  | – Capscrew             | 35A2D7       | 6   |
| 13  | – Lockwasher           | 14A5C54      | 6   |